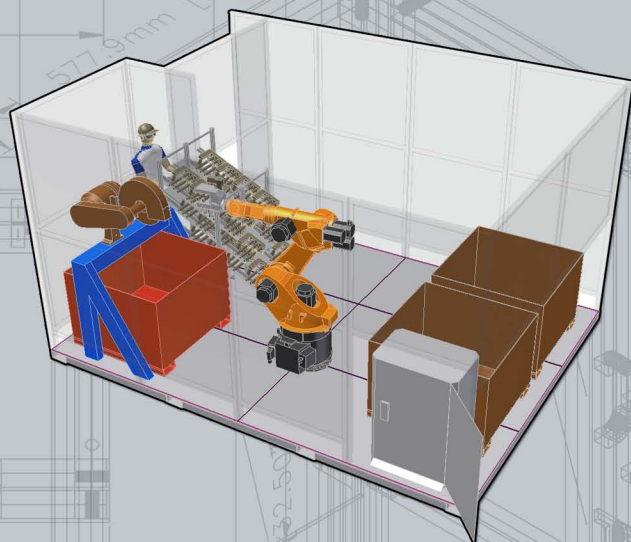
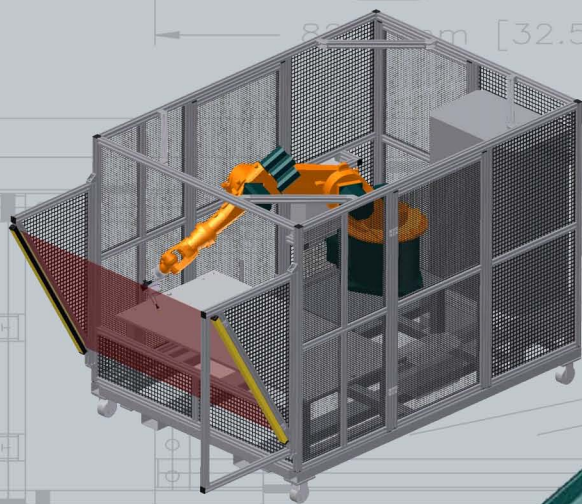


EHA ELECTRO-HYDRAULIC AUTOMATION

1620 Blairs Ferry Rd. NE
Cedar Rapids, IA 52410
319-395-0005

Robotic Cells

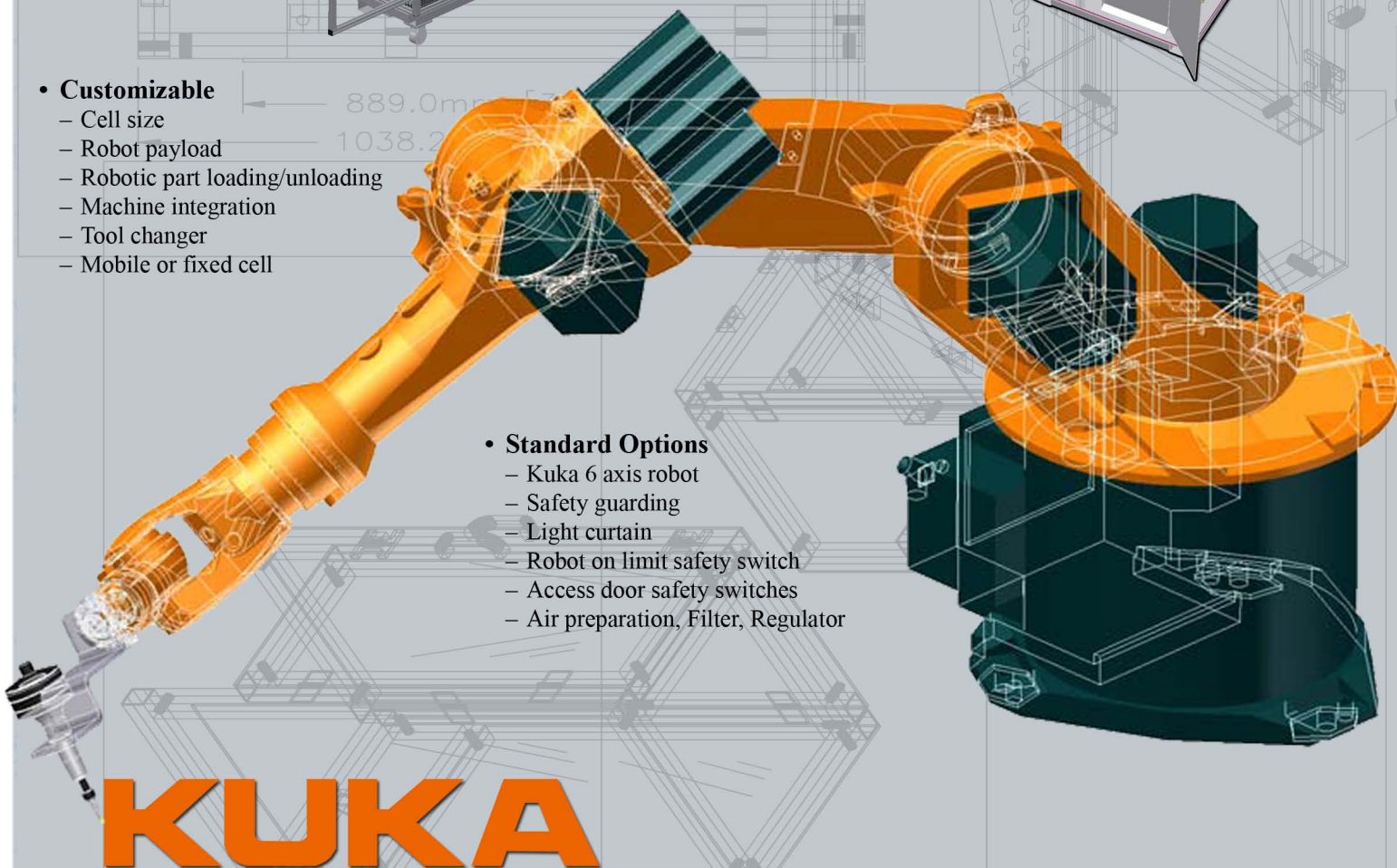


- **Customizable**

- Cell size
- Robot payload
- Robotic part loading/unloading
- Machine integration
- Tool changer
- Mobile or fixed cell

- **Standard Options**

- Kuka 6 axis robot
- Safety guarding
- Light curtain
- Robot on limit safety switch
- Access door safety switches
- Air preparation, Filter, Regulator



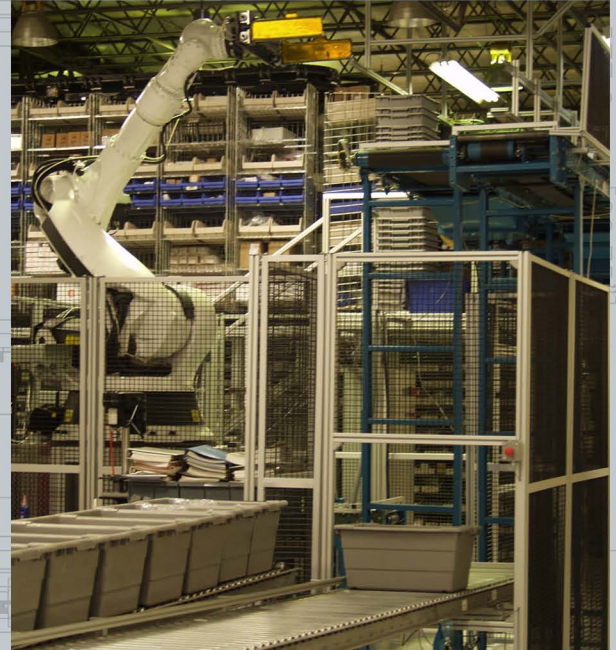
KUKA

www.ehausea.com

EHA ELECTRO-HYDRAULIC AUTOMATION

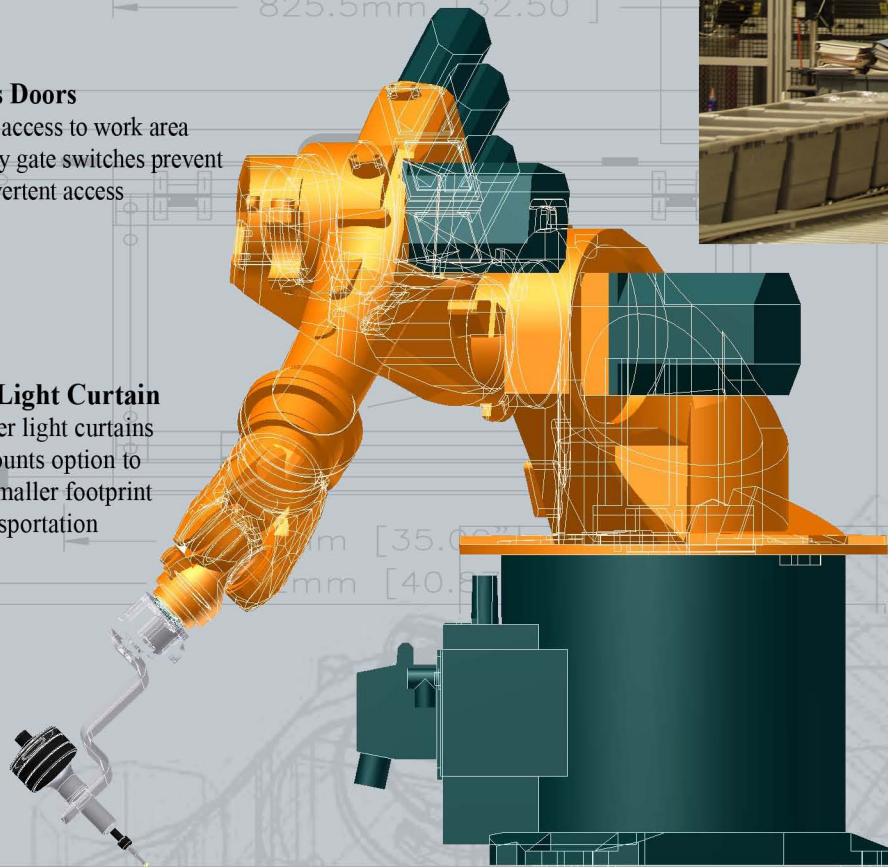
BOSCH Safety Guarding

- Extruded aluminum with steel mesh allows good vision into the cell and keeps hands and people out the danger zones
- Strategically placed doors allow easy access
- Can be reconfigured as your needs change



Access Doors

- Easy access to work area
- Safety gate switches prevent inadvertent access



REERUSA Light Curtain

- Quality Reer light curtains
- Folding mounts option to allow for smaller footprint during transportation

- EHA uses **KUKA** robots for the following reasons:
 - 99.996% uptime
 - Extensive North American service infrastructure
 - Conservative Payload Rating
 - High level programming language
 - Path remains the same regardless of speed

